

B415

2MP Video Analytics Zoom Bullet with D/N, Adaptive IR, Extreme WDR, SLLS, 20x Zoom Lens



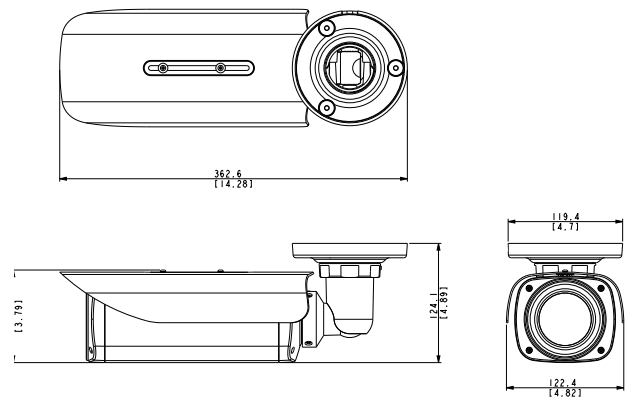
- 2 Megapixel with 1080p
- Day & Night with Superior Low Light Sensitivity and Adaptive IR LED
- 20x Zoom Lens with f4.7 - 94mm / F1.6 - 3.5, DC iris, Auto Focus
- Extreme WDR (145 dB)
- 60 fps at 1920 x 1080
- Weatherproof (IP67) and Vandal Proof Metal Casing (IK10)
- Built-in Analytics

PHOTO INDICATION



- 1 Ethernet Port
- 2 Audio Input / Output
- 3 DC12V Power Input
- 4 Reset Button
- 5 Digital Input / Output
- 6 Memory card slot (located inside)

DIMENSION DIAGRAM



Unit: mm [inch]

ACCESSORY OPTIONS

Power Supply		
PPOE-0001		IEEE 802.3af PoE Injector for Class 1, 2 or 3 devices, with universal adapter
PPBX-0002		AC 100-240V to DC 12V power adapter with universal connector

Popular Mounting Solutions	
Wall	Integrated bracket
Ceiling	Integrated bracket
Pole	PMAX-0504
Gang Box	PMAX-0806

* For more mounting solutions, please refer to Project Planner on www.acti.com

PRODUCT SPECIFICATION**B415****• Device**

Device Type	Zoom Bullet Camera
Image Sensor	Progressive Scan CMOS
Sensor Size	1/2.8"
Effective Pixels	1944 (H) x 1224 (V) (2.38 MP)
Horizontal Resolution	1450 TVL
Day / Night	Yes
Low Light Sensitivity	Superior
Minimum Illumination	Color: 0.1 lux at F1.6 (30 IRE, 2400°K); B/W: 0 lux (IR LED on)
Color to B/W Switch	ISP based switch, configurable
Mechanical IR Cut Filter	Yes
IR Sensitivity Range	700~1100nm
IR LED	Adaptive IR LED x 27 (850 nm)
IR Working Distance	40 m (0 lux, 30 IRE, Gain 255, Auto shutter mode)
Electronic Shutter	1/5 ~ 1/32,000 sec (manual mode); 1/5 ~ 1/32,000 sec (auto mode)
S/N Ratio	56 dB

• Lens

Focal Length / Aperture	Zoom, f4.7 - 94 mm / F1.6 - 3.5
Zoom Ratio / Speed	20x optical; 400~800 pps
Zoom Application	Camera installation; Auto zoom by event; Manual operation
Iris	DC iris
Focus	Auto focus
Mount Type	Board mount
Horizontal Viewing Angle	60.8° ~ 3.4°

• Video

Compression	H.264 (Baseline/ Main/ High profile), MJPEG
Max. Frame Rate vs. Resolution	60 fps at 1920 x 1080; 60 fps at 1280 x 720; 30 fps at 640 x 480; 30 fps at 320 x 240
Multi-Streaming	Simultaneous triple streams based on video configurations
Bit Rate	128 Kbps - 12 Mbps (per stream)
Bit Rate Mode	Constant, Variable
Image Enhancement	Extreme WDR (145 dB); White balance: automatic, hold, and manual; Brightness; Contrast; Defogging; Sharpness (auto); Auto gain control; 2D+3D digital noise reduction; Flickerless; Defogging; Digital image stabilizer
Privacy Mask	20 configurable regions
Text Overlay	User defined text on video
Image Orientation	Image flip and mirror
Built-in Analytics	Object Based Motion Detection, Tamper, Shock Detection, Line Crossing, Enter Area, Missing Object, Unattended Object

• Audio

Compression	8kHz, Mono, PCM, 16 bit encoding, G.711
Audio-In	Terminal block
Audio-Out	Terminal block

• Network

Protocol & Service	TCP, UDP, HTTP, HTTPS, DHCP, PPPoE, RTP, RTSP, IPv4, IPv6, DNS, DDNS, NTP, ICMP, ARP, IGMP, SMTP, FTP, UPnP, SNMP, Bonjour, Sony VISCA, Pelco-D, Pelco-P
Ethernet Port	1, Ethernet (10/100 Base-T), RJ-45 connector
Security	IP address filtering; HTTPS encryption; Password protected user levels; Anonymous login; IEEE802.1X network access control

• Alarm

Alarm Trigger	Video motion detection (3 regions); External device through digital input; Sound detection
Alarm Response	Notify control center; Change camera settings; Command other devices; E-mail notification with snapshots; Save video or snapshot to local storage; Upload video or snapshot to FTP server; Activate external device through digital output

• Interface

Digital Input	1, Terminal block
Digital Output	1, Terminal block
Local Storage	MicroSDHC card slot (card not included)

• General

Power Source / Consumption	PoE Class 3 (IEEE802.3af) / 12.6W; DC 12V (adapter not included) / 10.3W
Weight	2.18 kg (4.81 lb)
Dimensions (W x H x D)	122 mm x 124 mm x 363 mm (4.82" x 4.89" x 14.28")
Environmental Casing	Weatherproof (IP67 rated); Vandal proof metal casing (IK10)
Mount Type	Wall, Pole, Ceiling, Gang box
Starting Temperature	-40°C ~ 50°C (-40°F ~ 122°F) within 30 mins
Operating Temperature	-40°C ~ 50°C (-40°F ~ 122°F)
Operating Humidity	10% ~ 85% RH
Approvals	CE (EN 55022 Class B, EN 55024), FCC (Part15 Subpart B Class B), IP67, NEMA 4X, IK10 (metal casing), UL (for optional PoE injector and power adapter)

• Integration

Unified Solution	Fully compatible with ACTI software
ISV Integration	Software Development Kit (SDK) available; ONVIF compliant
Firmware Access Browser	Microsoft Internet Explorer 8.0 or newer (full functionality) Safari with QuickTime installed, and other browsers with VLC installed (partial functionality)
Auto Firmware Upgrade	Yes
GPS Position	Manual Setting

* All specifications are subject to change without notice.

* All brand names and registered trademarks are the property of their respective owners.

www.acti.com